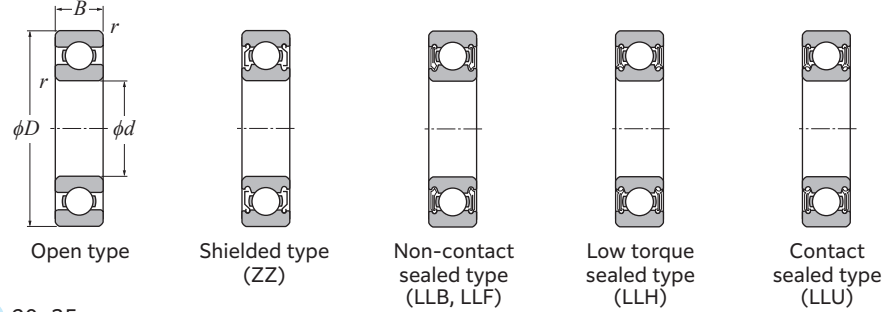
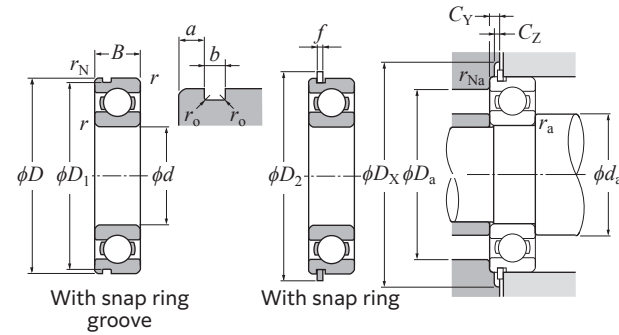


# Deep Groove Ball Bearings



# Deep Groove Ball Bearings



Dynamic equivalent radial load  
 $P_r = XF_r + YF_a$

$f_0 \cdot F_a$ $C_{Or}$	$e$	$\frac{F_a}{F_r} \leq e$		$\frac{F_a}{F_r} > e$	
		$X$	$Y$	$X$	$Y$
0.172	0.19				2.30
0.345	0.22				1.99
0.689	0.26				1.71
1.03	0.28				1.55
1.38	0.30				1.45
2.07	0.34	1	0	0.56	1.31
3.45	0.38				1.15
5.17	0.42				1.04
6.89	0.44				1.00

Static equivalent radial load

$P_{Or} = 0.6F_r + 0.5F_a$   
 When  $P_{Or} < F_r$  use  $P_{Or} = F_r$ .

d 20–35 mm

Boundary dimensions	Basic load rating				Factor	Allowable speed				Bearing number							
	mm					dynamic kN	static kN	Fatigue load limit kN	$\text{min}^{-1}$		Open type		Shielded or sealed type <sup>2)</sup>				
$d$	$D$	$B$	$r_{s\text{min}}^{(1)}$	$r_{Ns}^{(1)}$	$C_r$	$C_{Or}$	$C_u$	$f_0$	Grease Open type ZZ, LLB, LLF	Oil Open type ZZ, LLB, LLF	LLH LH	LLU LU	60/22	ZZ	LLB	LLH	LLU
20	72	19	1.1	—	31.5	13.9	1.09	11.4	12 000	14 000	—	—	6404	ZZ	—	—	—
22	44	12	0.6	0.5	10.4	5.05	0.395	13.9	17 000	20 000	13 000	10 000	60/22	ZZ	LLB	LLH	LLU
	50	14	1	0.5	14.3	6.80	0.500	13.4	14 000	17 000	12 000	9 700	62/22	ZZ	LLB	LLH	LLU
	56	16	1.1	0.5	20.4	9.25	0.725	12.4	13 000	15 000	11 000	9 200	63/22	ZZ	LLB	LLH	LLU
25	32	4	0.2	—	1.21	0.840	0.036	15.8	4 000	4 600	—	—	6705	—	LLF	—	—
	37	7	0.3	0.3	4.75	2.95	0.208	16.1	18 000	21 000	—	10 000	6805JR	ZZ	LLB	—	LLU
	42	9	0.3	0.3	7.80	4.55	0.345	15.4	16 000	19 000	11 700	9 800	6905	ZZ	LLB	LLH	LLU
	47	8	0.3	—	9.25	5.10	0.400	15.1	15 000	18 000	—	—	16005	—	—	—	—
	47	12	0.6	0.5	11.2	5.85	0.380	14.5	15 000	18 000	—	—	6005	ZZ	LLB	LLH	LLU
	52	15	1	0.5	15.5	7.85	0.550	13.9	13 000	15 000	11 000	8 900	6205	ZZ	LLB	LLH	LLU
	62	17	1.1	0.5	23.5	10.9	0.855	12.6	12 000	14 000	9 700	8 100	6305	ZZ	LLB	LLH	LLU
	80	21	1.5	—	38.5	17.5	1.36	11.6	10 000	12 000	—	—	6405	ZZ	—	—	—
28	52	12	0.6	0.5	13.8	7.40	0.580	14.5	14 000	16 000	10 000	8 400	60/28	ZZ	LLB	LLH	LLU
	58	16	1	0.5	19.8	9.75	0.720	13.4	12 000	14 000	9 700	8 100	62/28	ZZ	LLB	LLH	LLU
	68	18	1.1	0.5	29.6	14.0	1.10	12.4	11 000	13 000	8 900	7 400	63/28	ZZ	LLB	LLH	LLU
30	37	4	0.2	—	1.27	0.950	0.041	15.7	3 300	3 800	—	—	6706	—	LLF	—	—
	42	7	0.3	0.3	5.20	3.65	0.244	16.5	15 000	18 000	10 500	8 800	6806JR	ZZ	LLB	LLH	LLU
	47	9	0.3	0.3	8.00	5.00	0.365	15.8	14 000	17 000	10 000	8 400	6906	ZZ	LLB	LLH	LLU
	55	9	0.3	—	12.5	7.35	0.570	15.2	13 000	15 000	—	—	16006	—	—	—	—
	55	13	1	0.5	14.7	8.30	0.650	14.8	13 000	15 000	9 200	7 700	6006	ZZ	LLB	LLH	LLU
	62	16	1	0.5	21.6	11.3	0.795	13.8	11 000	13 000	8 800	7 300	6206	ZZ	LLB	LLH	LLU
	72	19	1.1	0.5	29.5	15.0	1.14	13.3	10 000	12 000	7 900	6 600	6306	ZZ	LLB	LLH	LLU
	90	23	1.5	—	48.0	23.9	1.86	12.3	8 800	10 000	—	—	6406	ZZ	—	—	—
32	58	13	1	0.5	13.1	8.05	0.615	15.4	12 000	15 000	8 700	7 200	60/32	ZZ	LLB	LLH	LLU
	65	17	1	0.5	23.0	11.6	0.840	13.6	11 000	12 000	8 400	7 100	62/32	ZZ	LLB	LLH	LLU
	75	20	1.1	0.5	33.0	16.9	1.30	13.1	9 500	11 000	7 700	6 500	63/32	ZZ	LLB	LLH	LLU
35	47	7	0.3	0.3	5.45	4.05	0.268	16.4	13 000	16 000	—	7 600	6807JR	ZZ	LLB	—	LLU
	55	10	0.6	0.5	10.6	6.85	0.495	15.8	12 000	15 000	8 500	7 100	6907	ZZ	LLB	LLH	LLU
	62	9	0.3	—	12.9	8.20	0.605	15.6	12 000	14 000	—	—	16007	—	—	—	—
	62	14	1	0.5	17.7	10.3	0.805	14.8	12 000	14 000	8 200	6 800	6007	ZZ	LLB	LLH	LLU
	72	17	1.1	0.5	28.4	15.3	1.09	13.8	9 800	11 000	7 600	6 300	6207	ZZ	LLB	LLH	LLU
	80	21	1.5	0.5	37.0	19.1	1.47	13.1	8 800	10 000	7 300	6 000	6307	ZZ	LLB	LLH	LLU
100	25	1.5	—	61.0	31.0	2.43	12.3	7 800	9 100	—	—	6407	ZZ	—	—	—	

1) Smallest allowable dimension for chamfer dimension  $r$ . 2) This bearing number is for double sealed and double shielded type bearings, but single sealed and single shielded type are also available.

Bearing number	Snap ring groove dimensions				Snap ring dimensions			Installation-related dimensions						Mass <sup>5)</sup> kg		
	mm				mm			mm								
Groove / Snap ring <sup>3)</sup> (See drawings)	$D_1$ Max.	$a$ Max.	$b$ Min.	$r_o$ Max.	$D_2$ Max.	$f$ Max.	$d_a$ Min.	$d_a$ Max. <sup>4)</sup>	$D_a$ Max.	$D_X$ (approx.)	$C_Y$ Max.	$C_Z$ Min.	$r_{as}$ Max.	$r_{NaS}$ Max.	(approx.)	
—	—	—	—	—	—	—	26.5	35.5	65.5	—	—	—	1	—	0.4	
N	NR	41.75	2.06	1.35	0.4	48.3	1.12	26	26.5	40	49	2.9	1.2	0.6	0.5	0.074
N	NR	47.6	2.46	1.35	0.4	55.7	1.12	27	29.5	45	56.5	3.3	1.2	1	0.5	0.117
N	NR	53.6	2.46	1.35	0.4	61.7	1.12	28.5	31	49.5	62.5	3.3	1.2	1	0.5	0.176
—	—	—	—	—	—	—	—	26.6	27.3	30.4	—	—	—	0.2	—	0.005
N	NR	35.7	1.3	0.95	0.25	39.8	0.85	27	28	35	40.5	1.9	0.9	0.3	0.3	0.022
N	NR	40.7	1.7	0.95	0.25	44.8	0.85	27	29	40	45.5	2.3	0.9	0.3	0.3	0.042
—	—	—	—	—	—	—	—	27	—	45	—	—	—	0.3	—	0.06
N	NR	44.6	2.06	1.35	0.4	52.7	1.12	29	30.5	43	53.5	2.9	1.2	0.6	0.5	0.08
N	NR	49.73	2.46	1.35	0.4	57.9	1.12	30	32	47	58.5	3.3	1.2	1	0.5	0.128
N	NR	59.61	3.28	1.9	0.6	67.7	1.7	31.5	35	55.5	68.5	4.6	1.7	1	0.5	0.232
—	—	—	—	—	—	—	—	33	41	72	—	—	—	1.5	—	0.53
N	NR	49.73	2.06	1.35	0.4	57.9	1.12	32	34	48	58.5	2.9	1.2	0.6	0.5	0.098
N	NR	55.6	2.46	1.35	0.4	63.7	1.12	33	35.5	53	64.5	3.3	1.2	1	0.5	0.171
N	NR	64.82	3.28	1.9	0.6	74.6	1.7	34.5	38.5	61.5	76	4.6	1.7	1	0.5	0.284
—	—	—	—	—	—	—	—	31.6	32.3	35.4	—	—	—	0.2	—	0.006
N	NR	40.7	1.3	0.95	0.25	44.8	0.85	32	33	40	45.5	1.9	0.9	0.3	0.3	0.026
N	NR	45.7	1.7	0.95	0.25	49.8	0.85	32	34	45	50.5	2.3	0.9	0.3	0.3	0.048
—	—	—	—	—	—	—	—	32	—	53	—	—	—	0.3	—	0.091
N	NR	52.6	2.08	1.35	0.4	60.7	1.12	35	37	50	61.5	2.9	1.2	1	0.5	0.116
N	NR	59.61	3.28	1.9	0.6	67.7	1.7	35	39	57	68.5	4.6	1.7	1	0.5	0.199
N	NR	68.81	3.28	1.9	0.6	78.6	1.7	36.5	43	65.5	80	4.6	1.7	1	0.5	0.36
—	—	—	—	—	—	—	—	38	49	82	—	—	—	1.5	—	0.735
N	NR	55.6	2.08	1.35	0.4	63.7	1.12	37	39	53	64.5	2.9	1.2	1	0.5	0.129
N	NR	62.6	3.28	1.9	0.6	70.7	1.7	37	40	60	71.5	4.6	1.7	1	0.5	0.226
N	NR	71.83	3.28	1.9	0.6	81.6	1.7	38.5	43.5	68.5	83	4.6	1.7	1	0.5	0.382
N	NR	45.7	1.3	0.95	0.25	49.8	0.85	37	38	45	50.5	1.9	0.9	0.3	0.3	0.029
N	NR	53.7	1.7	0.95	0.25	57.8	0.85	39	40	51	58.5	2.3	0.9	0.6	0.5	0.074
—	—	—	—	—	—	—	—	37	—	60	—	—	—	0.3	—	0.11
N	NR	59.61	2.08	1.9	0.6	67.7	1.7	40	42	57	68.5	3.4	1.7	1	0.5	0.155
N	NR	68.81	3.28	1.9	0.6	78.6	1.7	41.5	45	65.5	80	4.6	1.7	1	0.5	0.288
N	NR	76.81	3.28	1.9	0.6	86.6	1.7	43	47	72	88	4.6	1.7	1.5	0.5	0.457
—	—	—	—	—	—	—	—	43	56.5	92	—	—	—	1.5	—	0.952

3) Sealed and shielded bearings are also available. 4) This dimension applies to sealed and shielded bearings. 5) Does not include bearings with snap rings.