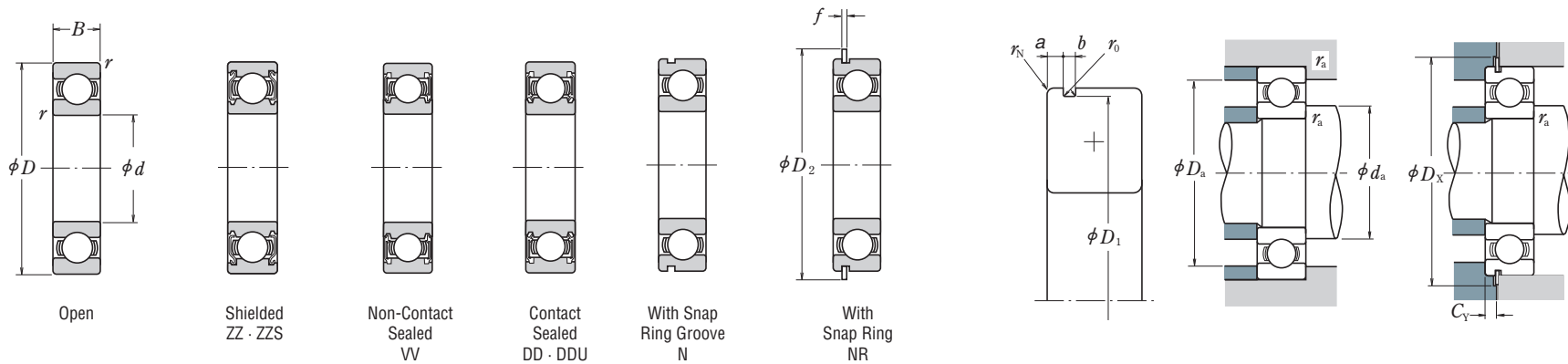


■ SINGLE-ROW DEEP GROOVE BALL BEARINGS

Bore Diameter 160 mm



Dynamic Equivalent Load

$$P = XF_r + YF_a$$

$\frac{f_0 F_a}{C_{0r}}$	e	$\frac{F_a}{F_r} \leq e$		$\frac{F_a}{F_r} > e$	
		X	Y	X	Y
0.172	0.19	1	0	0.56	2.30
0.345	0.22	1	0	0.56	1.99
0.689	0.26	1	0	0.56	1.71
1.03	0.28	1	0	0.56	1.55
1.38	0.30	1	0	0.56	1.45
2.07	0.34	1	0	0.56	1.31
3.45	0.38	1	0	0.56	1.15
5.17	0.42	1	0	0.56	1.04
6.89	0.44	1	0	0.56	1.00

Static Equivalent Load

$$\frac{F_a}{F_r} > 0.8, P_0 = 0.6F_r + 0.5F_a$$

$$\frac{F_a}{F_r} \leq 0.8, P_0 = F_r$$

Boundary Dimensions (mm)				Basic Load Ratings (N)		Factor	Limiting Speeds (min ⁻¹)			Bearing Designations			With Snap Ring Groove	With Snap Ring Groove	Snap Ring Groove Dimensions (1) (mm)					Snap Ring (1) Dimensions (mm)		Abutment and Fillet Dimensions (mm)					Mass (kg)			
d	D	B	r min.	C_r	C_{0r}	f_0	Grease		Oil	Open	Shielded	Sealed	N	NR	a max.	b min.	D_1 max.	r_0 max.	r_N min.	D_2 max.	f max.	d_a (2) min.	d_a (2) max.	D_a (2) max.	r_a max.	D_x min.	C_Y max.	approx.		
160	200	20	1.1	53 000	61 000	17.2	2 600	1 700	3 200	6832	ZZS	VV	DDU	N	NR	3.30	1.9	196.8	0.6	0.5	206.5	1.7	166.5	170.5	193.5	1	208	4.7	1.23	
	220	28	2	95 500	96 000	16.6	2 600	1 600	3 000	6932	ZZS	—	DDU	—	—	—	—	—	—	—	—	—	169	176	211	2	—	—	2.71	
	240	25	1.5	109 000	108 000	16.5	2 400	—	2 800	16032	—	—	—	—	—	—	—	—	—	—	—	—	—	—	232	1.5	—	—	4.2	
	240	38	2.1	150 000	135 000	15.9	2 400	1 600	2 800	6032	ZZ	—	DDU	—	—	—	—	—	—	—	—	—	—	171	181.5	229	2	—	—	5.15
	290	48	3	204 000	186 000	15.4	1 900	—	2 400	6232	ZZS	—	—	—	—	—	—	—	—	—	—	—	—	173	202	277	2.5	—	—	12.8
	340	68	4	305 000	287 000	13.9	1 700	—	2 000	6332	ZZS	—	—	—	—	—	—	—	—	—	—	—	—	176	215.5	324	3	—	—	26.2

- Notes** (1) For tolerances of snap ring grooves and snap ring dimensions, refer to Pages A116 to A119.
 (2) When heavy axial loads are applied, d_a and D_a can be adjusted up to the shoulder diameter of the races. Please consult NSK for details.

- Remarks** 1. When using bearings with rotating outer rings, contact NSK if they are sealed, shielded, or have snap rings.
 2. Please consult NSK about the snap ring groove dimensions of Dimension Series 18 and 19 sealed and shielded bearings when the diameter is 50 mm or more.