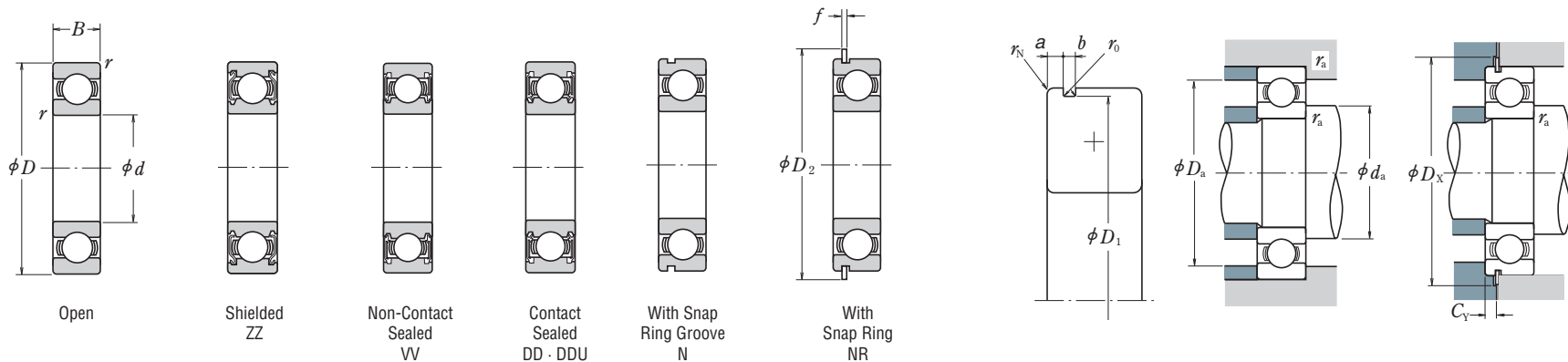


SINGLE-ROW DEEP GROOVE BALL BEARINGS

Bore Diameter 50 – 60 mm



Dynamic Equivalent Load

$$P = XF_r + YF_a$$

$\frac{f_0 F_a}{C_{0r}}$	e	$\frac{F_a}{F_r} \leq e$		$\frac{F_a}{F_r} > e$	
		X	Y	X	Y
0.172	0.19	1	0	0.56	2.30
0.345	0.22	1	0	0.56	1.99
0.689	0.26	1	0	0.56	1.71
1.03	0.28	1	0	0.56	1.55
1.38	0.30	1	0	0.56	1.45
2.07	0.34	1	0	0.56	1.31
3.45	0.38	1	0	0.56	1.15
5.17	0.42	1	0	0.56	1.04
6.89	0.44	1	0	0.56	1.00

Static Equivalent Load

$$\frac{F_a}{F_r} > 0.8, P_0 = 0.6F_r + 0.5F_a$$

$$\frac{F_a}{F_r} \leq 0.8, P_0 = F_r$$

Boundary Dimensions (mm)	Basic Load Ratings (N)		Factor f_0	Limiting Speeds (min ⁻¹)			Bearing Designations			With Snap Ring Groove	With Snap Ring Groove	Snap Ring Groove Dimensions (1) (mm)					Snap Ring (1) Dimensions (mm)		Abutment and Fillet Dimensions (mm)					Mass (kg) approx.					
	d	D		B	r min.	C_r	C_{0r}	Grease	Oil			Open	Shielded	Sealed	a max.	b min.	D_1 max.	r_0 max.	r_N min.	D_2 max.	f max.	d_a (2) min.	D_a (2) max.		r_a max.	D_x min.	C_Y max.		
50	65	7	0.3	7 050	6 200	17.2	9 500	5 300	11 000	6810	ZZ	VV	DDU	N	NR	1.30	0.95	63.7	0.25	0.3	67.8	0.85	52	52.5	63	0.3	68.5	1.8	0.050
	72	12	0.6	16 000	11 700	16.1	9 000	5 300	11 000	6910	ZZ	VV	DDU	N	NR	1.70	0.95	70.7	0.25	0.5	74.8	0.85	54	55	68	0.6	76	2.3	0.135
	80	10	0.6	17 000	12 400	16.1	8 500	—	10 000	16010	—	—	—	—	—	—	—	—	—	—	—	—	—	—	76	0.6	—	—	0.175
80	80	16	1	24 000	16 600	15.6	9 500	4 800	11 000	6010	ZZ	VV	DDU	N	NR	2.49	1.9	76.81	0.6	0.5	86.6	1.7	55	58.5	75	1	88	3.8	0.261
	90	20	1.1	38 500	23 200	14.4	8 000	4 800	10 000	6210	ZZ	VV	DDU	N	NR	3.28	2.7	86.79	0.6	0.5	96.5	2.46	56.5	60	83.5	1	98	5.4	0.459
	110	27	2	68 000	38 500	13.2	7 100	4 300	8 500	6310	ZZ	VV	DDU	N	NR	3.28	2.7	106.81	0.6	0.5	116.6	2.46	59	68	101	2	118	5.4	1.06
55	72	9	0.3	9 700	8 500	17.0	8 500	4 800	10 000	6811	ZZ	VV	DDU	N	NR	1.70	0.95	70.7	0.25	0.3	74.8	0.85	57	59	70	0.3	76	2.3	0.081
	80	13	1	17 600	13 300	16.2	8 000	4 500	9 500	6911	ZZ	VV	DDU	N	NR	2.10	1.3	77.9	0.4	0.5	84.4	1.12	60	61.5	75	1	86	2.9	0.189
	90	11	0.6	21 400	16 300	16.2	7 500	—	9 000	16011	—	—	—	—	—	—	—	—	—	—	—	—	—	—	86	0.6	—	—	0.257
90	90	18	1.1	31 000	21 200	15.3	8 500	4 500	10 000	6011	ZZ	VV	DDU	N	NR	2.87	2.7	86.79	0.6	0.5	96.5	2.46	61.5	64	83.5	1	98	5	0.381
	100	21	1.5	47 500	29 300	14.3	7 500	4 300	9 000	6211	ZZ	VV	DDU	N	NR	3.28	2.7	96.8	0.6	0.5	106.5	2.46	63	66.5	92	1.5	108	5.4	0.619
	120	29	2	78 500	44 500	13.1	6 700	4 000	8 000	6311	ZZ	VV	DDU	N	NR	4.06	3.1	115.21	0.6	0.5	129.7	2.82	64	72.5	111	2	131.5	6.5	1.37
60	78	10	0.3	12 600	10 900	16.9	8 000	4 500	9 500	6812	ZZ	VV	DD	N	NR	1.70	1.3	76.2	0.4	0.3	82.7	1.12	62	64	76	0.3	84	2.5	0.103
	85	13	1	21 400	16 300	16.2	7 500	4 300	9 000	6912	ZZ	VV	DDU	N	NR	2.10	1.3	82.9	0.4	0.5	89.4	1.12	65	66	80	1	91	2.9	0.192
	95	11	0.6	22 000	17 500	16.3	7 100	—	8 500	16012	—	—	—	—	—	—	—	—	—	—	—	—	—	—	91	0.6	—	—	0.281
95	95	18	1.1	32 500	23 200	15.6	8 000	4 000	9 500	6012	ZZ	VV	DDU	N	NR	2.87	2.7	91.82	0.6	0.5	101.6	2.46	66.5	69	88.5	1	103	5	0.412
	110	22	1.5	57 500	36 000	14.3	6 700	3 800	8 000	6212	ZZ	VV	DDU	N	NR	3.28	2.7	106.81	0.6	0.5	116.6	2.46	68	74.5	102	1.5	118	5.4	0.783
	130	31	2.1	90 000	52 000	13.1	6 000	3 600	7 100	6312	ZZ	VV	DDU	N	NR	4.06	3.1	125.22	0.6	0.5	139.7	2.82	71	79	119	2	141.5	6.5	1.72

Notes (1) For tolerances of snap ring grooves and snap ring dimensions, refer to Pages A116 to A119.
 (2) When heavy axial loads are applied, d_a and D_a can be adjusted up to the shoulder diameter of the races. Please consult NSK for details.

Remarks 1. Diameter Series 7 (extra-thin wall) bearings are also available; please contact NSK for details.
 2. When using bearings with rotating outer rings, contact NSK if they are sealed, shielded, or have snap rings.
 3. Please consult NSK about the snap ring groove dimensions of Dimension Series 18 and 19 sealed and shielded bearings when the diameter is 50 mm or more.